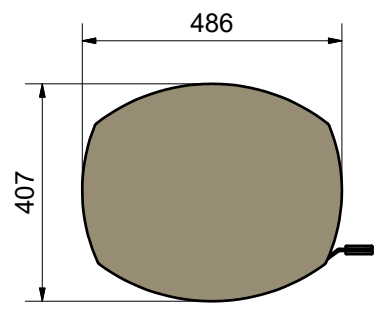
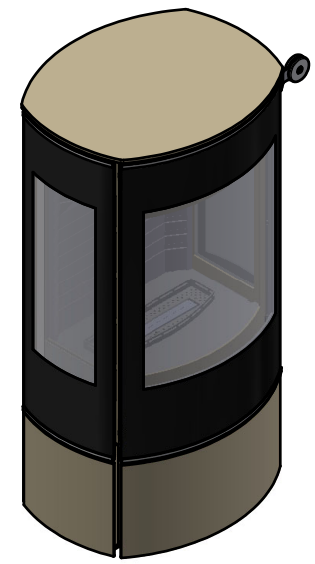
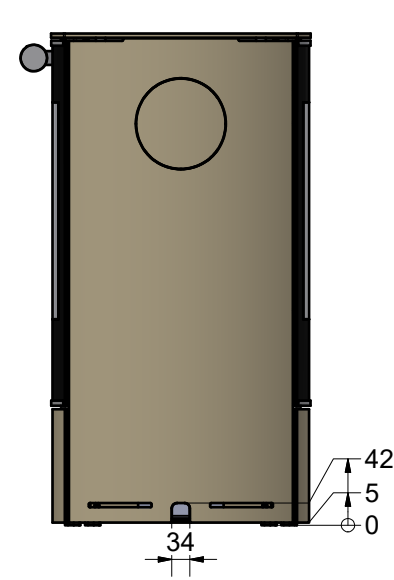
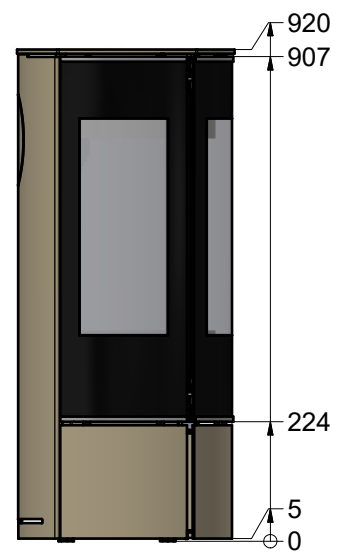
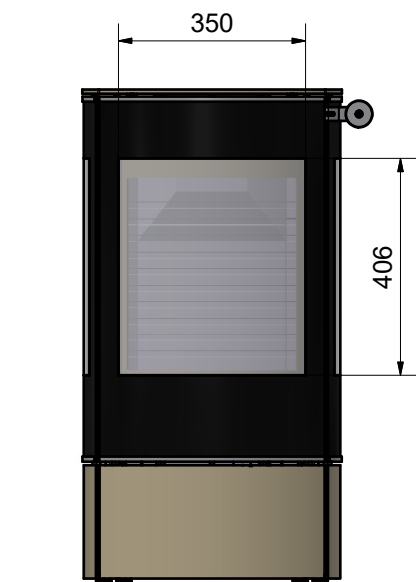


| | | | | | | |
|----------------------------------|--------------|---------|-----------|--------------|------------------|-----------|
| RAIS [®] | | | | Designer: | Project manager: | Approved: |
| | | | | pch | | |
| | | | | D M Y | ⊙ | ▢ |
| | | | | 10-11-2025 | | |
| | | | | Corrections: | | |
| Drawing name: Caro 90 BIO | | | | | | |
| Project: | Established: | Format: | Revision: | Drawing no.: | | |
| | 06-10-2025 | A3 | | 14-0108-6550 | | |



| | | | | |
|--|--------------|------------|------------------|--------------|
| RAIS [®] | | Designer: | Project manager: | Approved: |
| | | pch | | |
| Industrivej 20 - DK-9900 Frederikshavn +45 98 47 90 33 - info@rais.com - www.rais.com | | D M Y | ☉ | ▶ |
| | | 11-11-2025 | | |
| Corrections: | | | | |
| Drawing name: Caro 90 BIO | | | | |
| Project: | Established: | Format: | Revision: | Drawing no.: |
| | 06-10-2025 | A3 | | 14-0118-6550 |