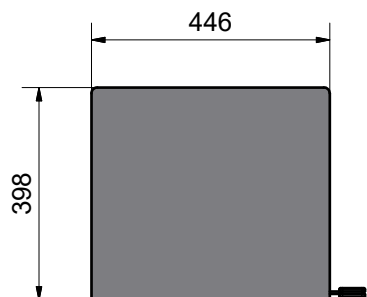
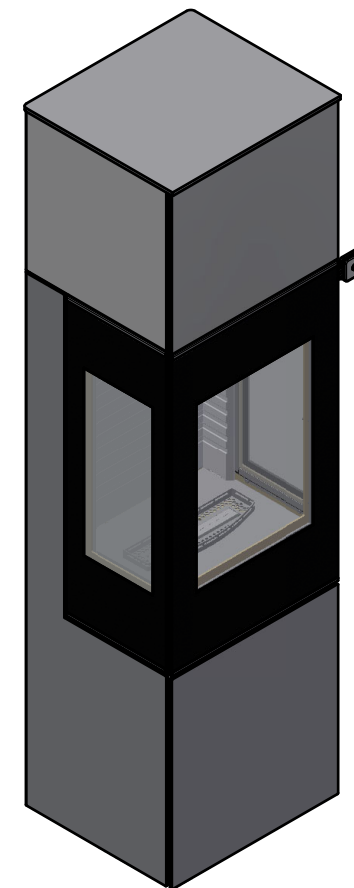
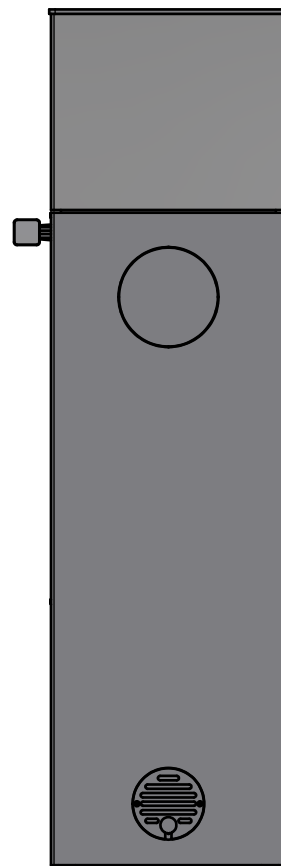
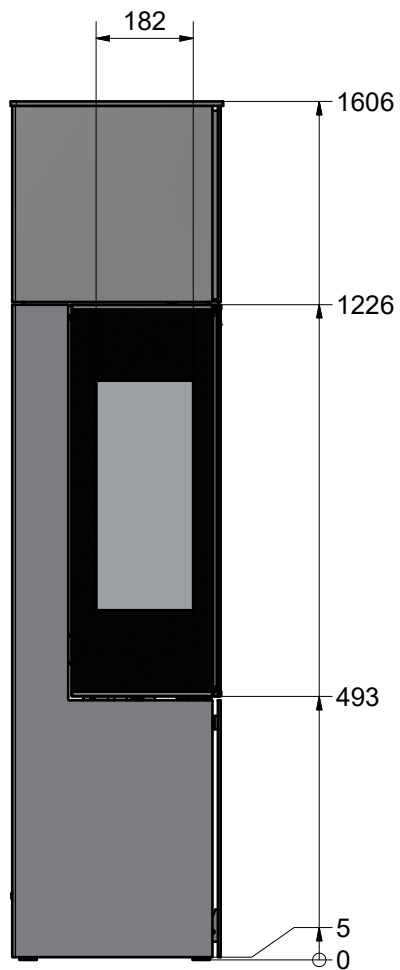
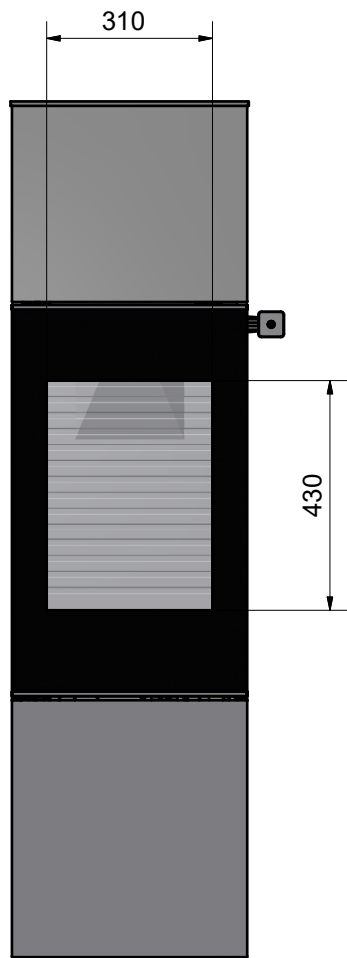


<b>RAIS</b> <sup>®</sup>	Designer:	Project manager:	Approved:
	pch		
Industrivej 20 - DK-9900 Frederikshavn +45 98 47 90 33 - info@rais.com - www.rais.com	D M Y	☉	▶
	18-11-2025	Corrections:	
Drawing name: Nexo 160 BIO			
Project:	Established:	Format:	Revision: Drawing no.:
	20-10-2025	A3	10-0408-6550



<b>RAIS</b> <sup>®</sup>		Designer:	Project manager:	Approved:
		pch		
		D M Y	⊙	▢
		18-11-2025		
Industrivej 20 - DK-9900 Frederikshavn +45 98 47 90 33 - info@rais.com - www.rais.com		Corrections:		
Drawing name: Nexo 160 G BIO				
Project:	Established:	Format:	Revision:	Drawing no.:
	20-10-2025	A3		10-0418-6550