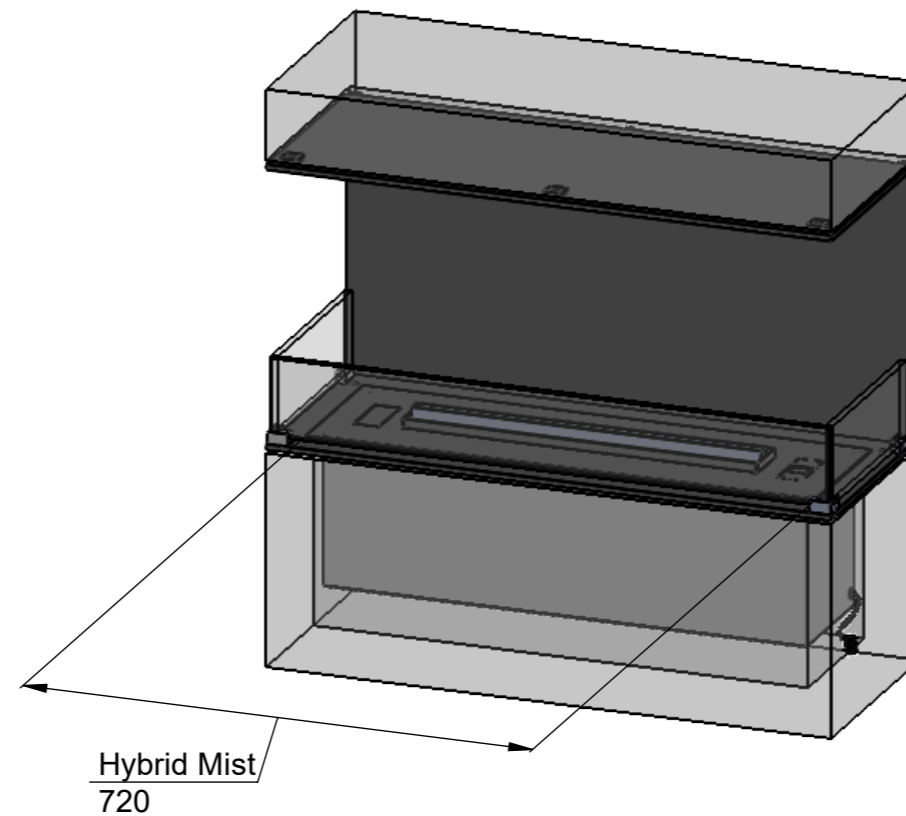


decoflame® Montreal Hybrid Mist 720 FT500 Open to front, right and left  
**800x400x308mm, Black**


with remote control, control panel, bluetooth / App and six step flame levels  
 3x 110mm low glass

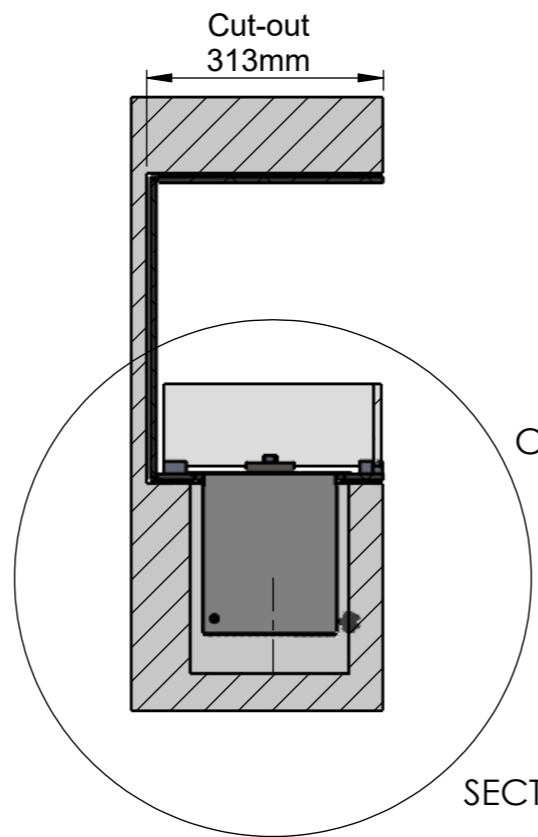
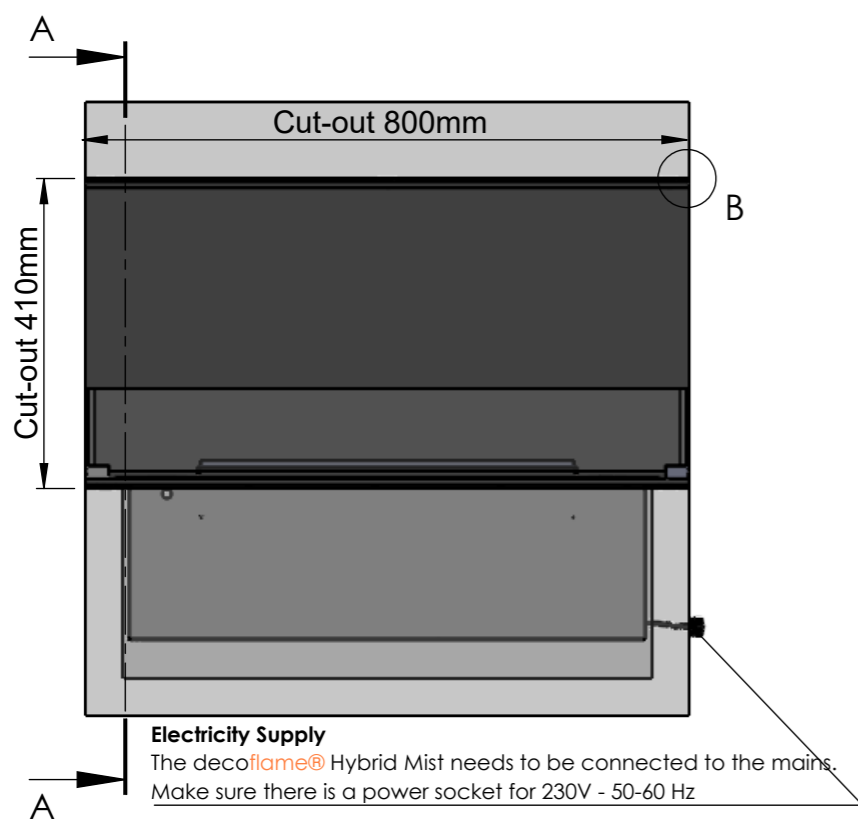
Wall cut-out "800x410x313mm"



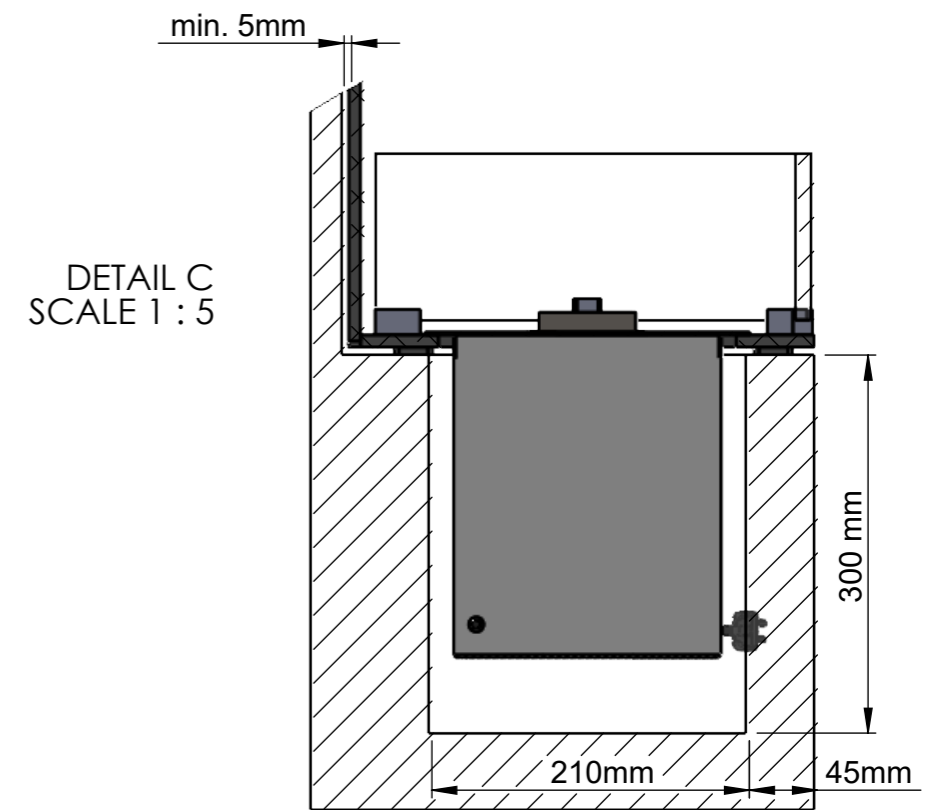
**ATTENTION**

Reservations are made for glass tolerances both in length and height of  $\pm 2.5\text{mm}$  and in thickness of  $\pm 0.3\text{mm}$  according to DS/EN 12150.

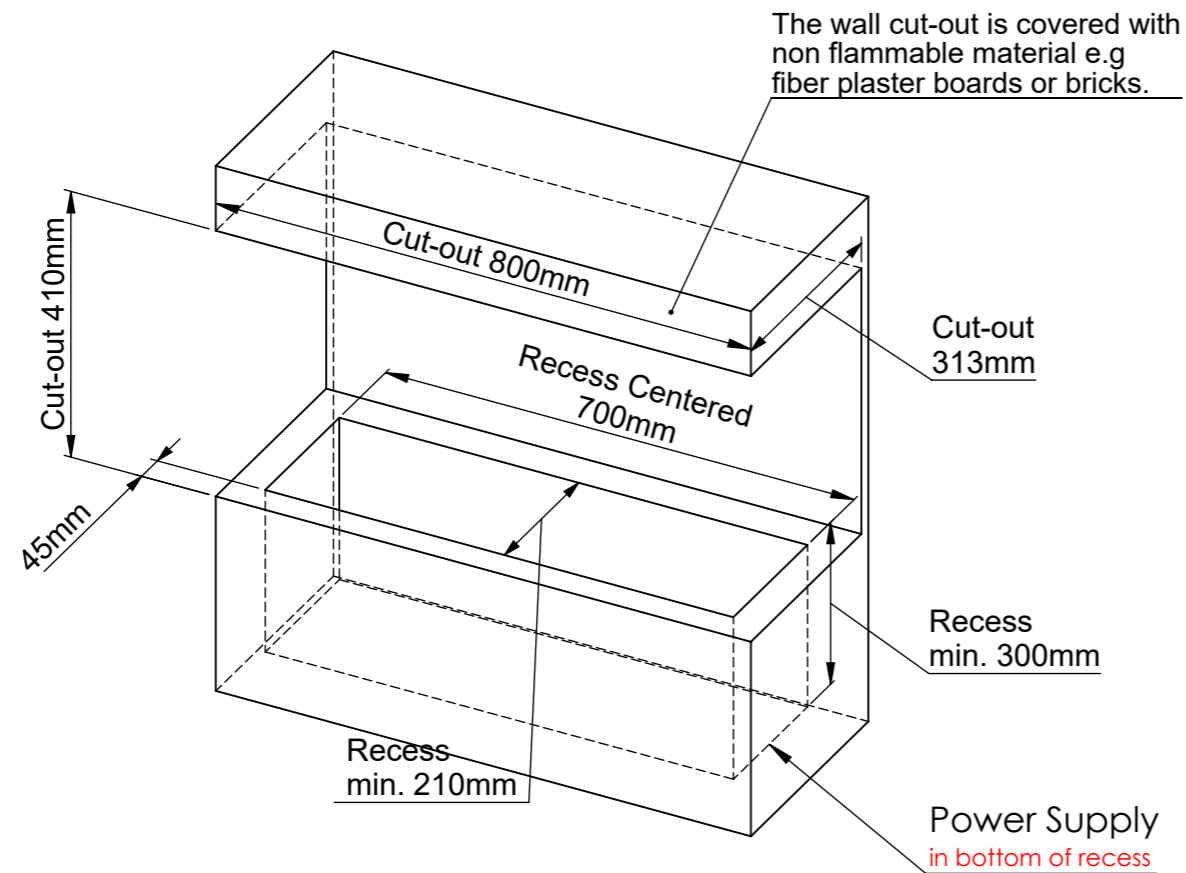
|  |                    |   |                    |
|--|--------------------|---|--------------------|
| <b>Dimensions are in millimeters</b>   |                    |  Deco flame ApS<br>Vang Mark 2<br>9380 Vestbjerg<br>Tlf.: +45 9630 4800<br>decoflame.com | <b>SCALE: 1:10</b> |
| REVISION:<br>-   | Date<br>04-04-2024 |   | FORMAT: A3         |
| Author:<br>JDR   |                    | Order Number - Customer - Reference:<br>PRINCIP Montreal Front Right Left conv.<br>800x400x308mm - HM720 - 3x low glass   |                    |
| Copyright of Deco flame ApS Denmark, whose property this document remains. No part thereof may be disclosed, copied, duplicated or in any other way made use of, except with the approval of Deco flame ApS. |                    | Customer Approval Signature - Date  |                    |



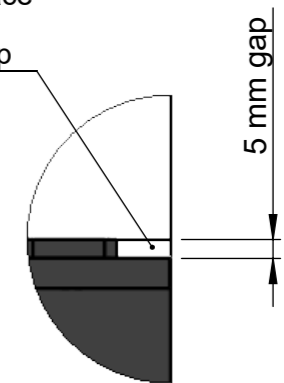
SECTION A-A




Wall dimensions

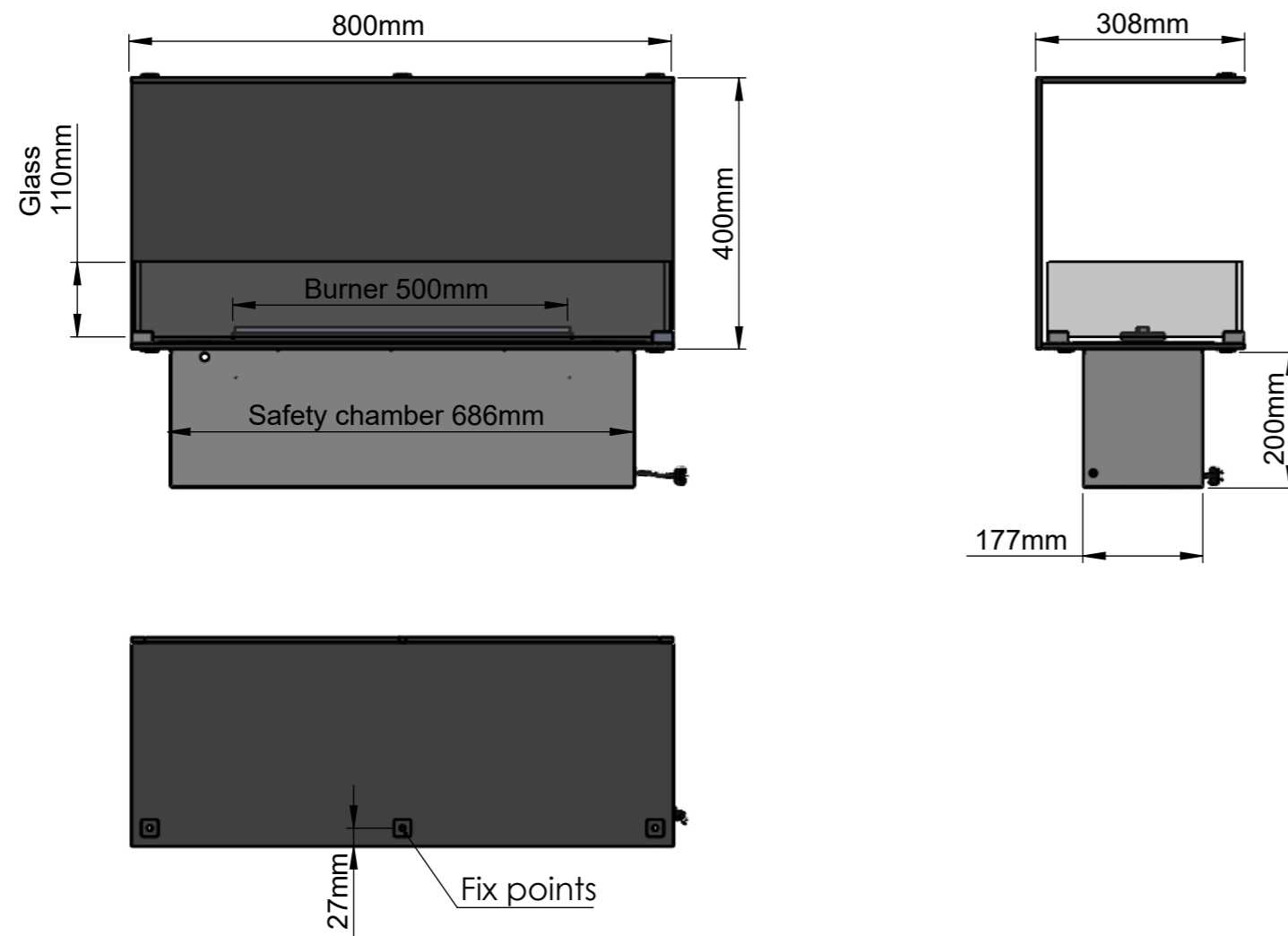


In order to cool the fireplace and ensure sufficient air flow **DO NOT** seal the gap



DETAIL B

|  |                  |  |             |
|--|------------------|--|-------------|
| Dimensions are in millimeters  |                  |  Decoflake ApS<br>Vang Mark 2<br>9380 Vestbjerg<br>Tlf.: +45 9630 4800<br>decoflake.com | SCALE: 1:10 |
| REVISION: -  | Date: 04-04-2024 |  | FORMAT: A3  |
| Author: JDR  |                  | Page 2 OF 4  |             |
| Copyright of Decoflake ApS Denmark, whose property this document remains. No part thereof may be disclosed, copied, duplicated or in any other way made use of, except with the approval of Decoflake ApS. |                  | Order Number - Customer - Reference:<br>PRINCIP Montreal Front Right Left conv. 800x400x308mm - HM720 - 3x low glass   |             |
|  |                  | Customer Approval Signature - Date   |             |



### General Installation Guidelines for “decoflame® made to measure fireplaces”:

The wall cut-out is made at least 5mm deeper than the depth of the fireplace to ensure sufficient air flow and cooling of the fireplace.

Furthermore, it is essential to maintain a 5mm gap all the way around the fireplace (Cut-out = Fireplace Dimensions + 10mm) This gap must not be sealed.

As the edges of the cut-out remain visible it is important that they are done to the highest possible finish. All four corners of the cut out must have exactly a 90 degree angle.

#### Plasterboard walls - Stud-walls

All surfaces inside the wall cut-out are to be covered with fibre plaster sheets or other non-inflammable materials.

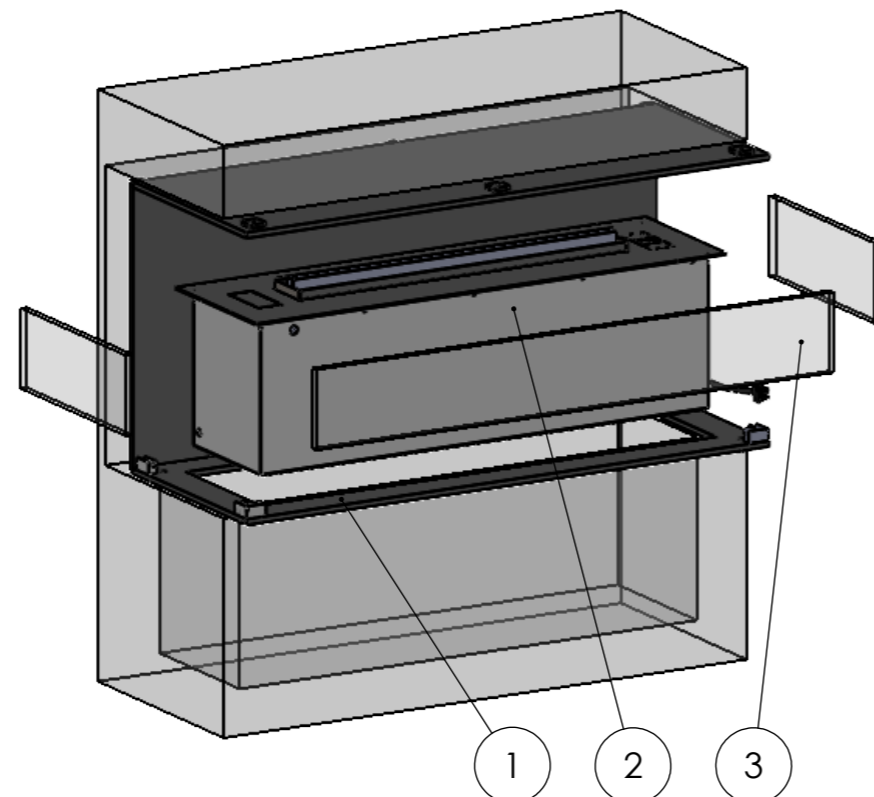
#### Stone/Brick walls

The cut-out is made according to the attached drawing.

#### Important


Make sure to create a closed cavity for the section below the base plate of the fire and above the roof of the fireplace.

### Installation process



#### Exploded view showing the installation process.

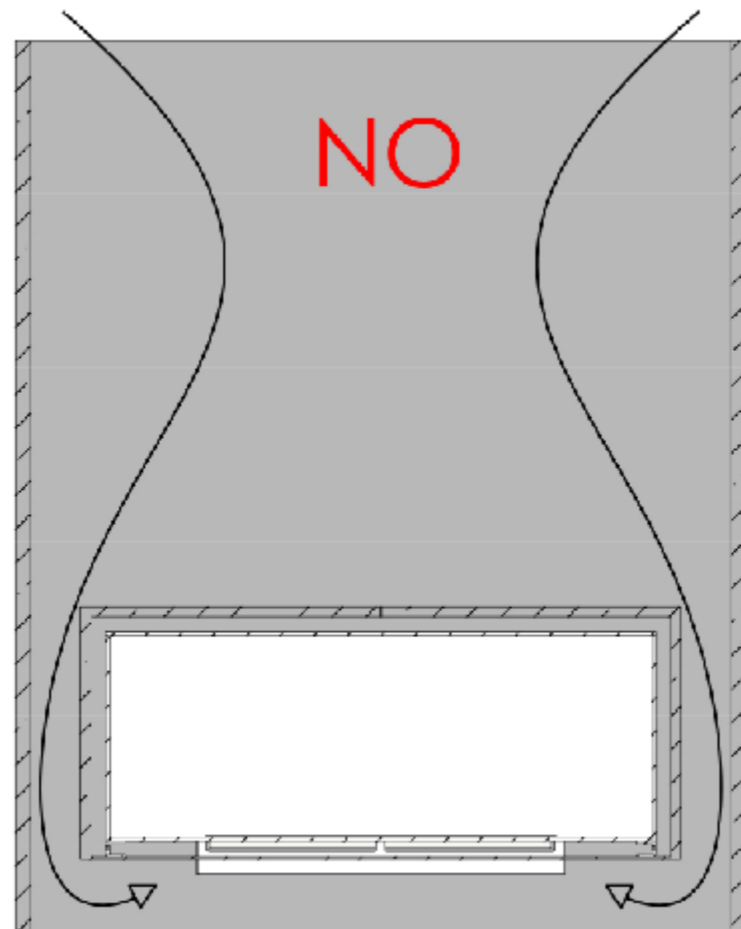
1. The chassis of the fireplace (top/sides/bottom) is centered in the wall cut-out.  
Use suited wall plugs depending on the type of wall.
2. The fireplace is plugged in the power outlet and lowered into the recess.
3. Gently place the glass on the base plate pins.

|  |                    |   |                    |
|--|--------------------|---|--------------------|
| <b>Dimensions are in millimeters</b>   |                    |  Decoflake ApS<br>Vang Mark 2<br>9380 Vestbjerg<br>Tlf: +45 9630 4800<br>decoflake.com | <b>SCALE: 1:10</b> |
| REVISION:<br>-   | Date<br>04-04-2024 |   | FORMAT: A3         |
| Author:<br>JDR   |                    | Order Number - Customer - Reference:<br>PRINCIP Montreal Front Right Left conv.<br>800x400x308mm - HM720 - 3x low glass   |                    |
| Copyright of Decoflake ApS Denmark, whose property this document remains. No part thereof may be disclosed, copied, duplicated or in any other way made use of, except with the approval of Decoflake ApS. |                    | Customer Approval Signature - Date  |                    |

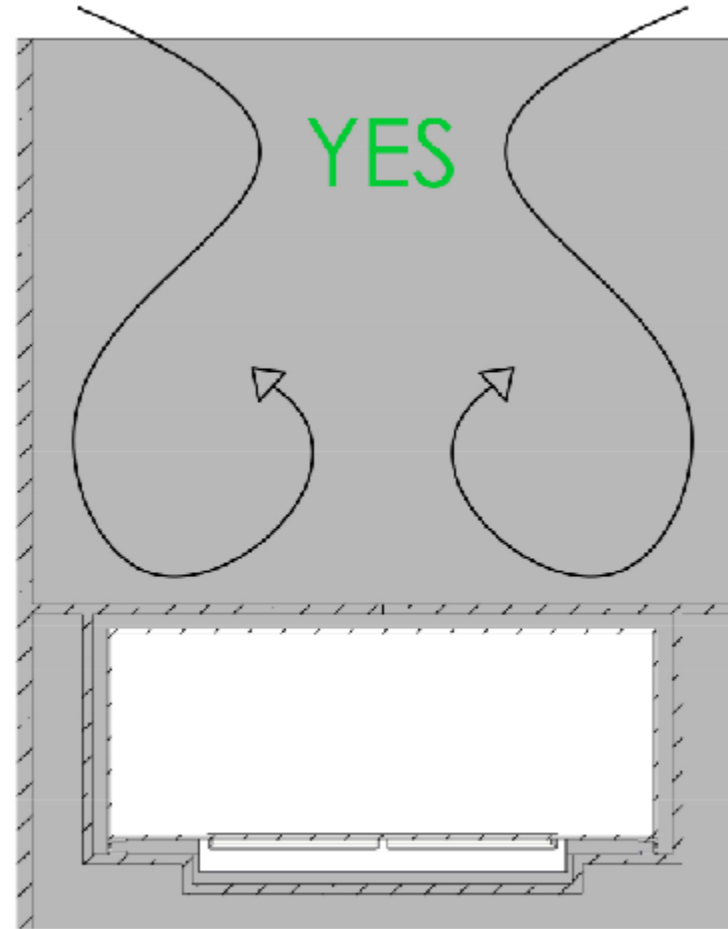
Page 3 OF 4

# IMPORTANT INFORMATION

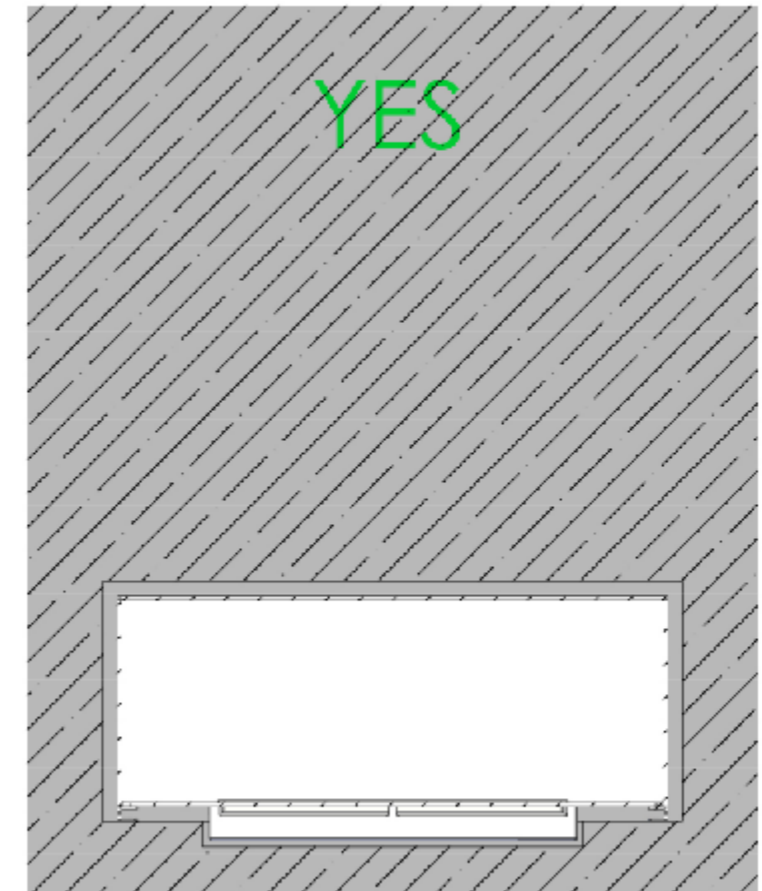
Particulars of the wall in which the fireplace shall be installed




**DO NOT!** install the fireplace in a wall construction which is open above and below the fireplace. The warm air will cause turbulences inside this hollow construction which will have a negative impact on the flames.



**DO!** install the fireplace in an open-wall construction, which is closed above and below the fireplace. Make sure to create a closed cavity for the section below the base plate of the fire.



**DO!** install the fireplace in a massive wall (made of bricks, stone or gas beton) using the wall cut-out dimensions mentioned on the previous page.

|   |                    |  |                    |
|---|--------------------|--|--------------------|
| <b>Dimensions are in millimeters</b>  |                    |  Decoflame ApS<br>Vang Mark 2<br>9380 Vestbjerg<br>Tlf.: +45 9630 4800<br>decoflame.com | <b>SCALE: 1:10</b> |
| REVISION:<br>-  | Date<br>04-04-2024 |  | FORMAT: A3         |
| Author:<br>JDR  |                    | Order Number - Customer - Reference:<br>PRINCIP Montreal Front Right Left conv.<br>800x400x308mm - HM720 - 3x low glass  |                    |
| <small>Copyright of Decoflame ApS Denmark, whose property this document remains. No part thereof may be disclosed, copied, duplicated or in any other way made use of, except with the approval of Decoflame ApS.</small> |                    | Customer Approval Signature - Date   |                    |
|   |                    | Page 4 OF 4  |                    |